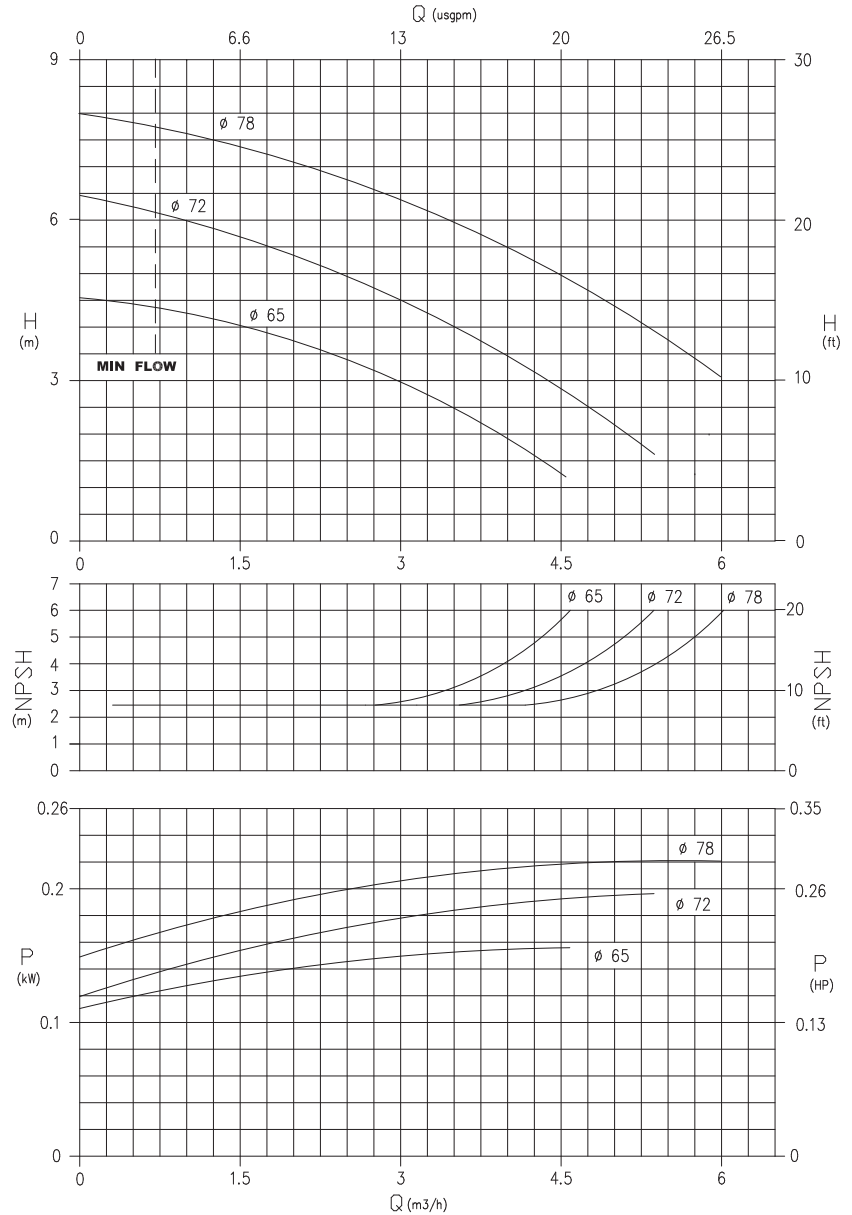


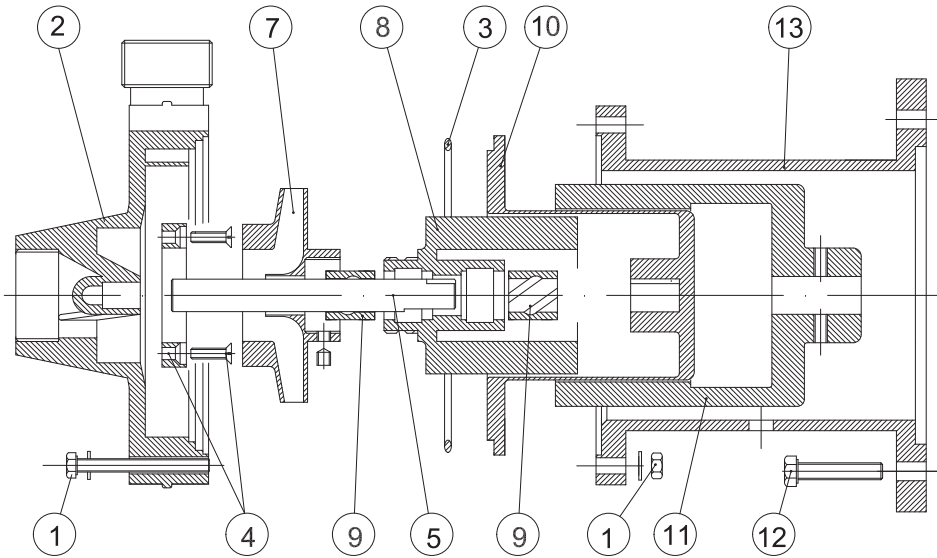
FEATURES/CARATTERISTICHE

Materials available/Materiali disponibili:	AISI 316
Max flow/Portata massima:	6 m ³ /h
Max head/Prevalenza massima:	8 m
Max temperature/Temperatura massima:	160 °C
Max viscosity/Viscosità massima:	200 cSt
Pressure rating/Pressione nominale massima:	NP/PN 10 @ 20°C
Pump weight/Peso pompa:	6.2 Kg.

CURVES/CURVE 50HZ-2900 RPM

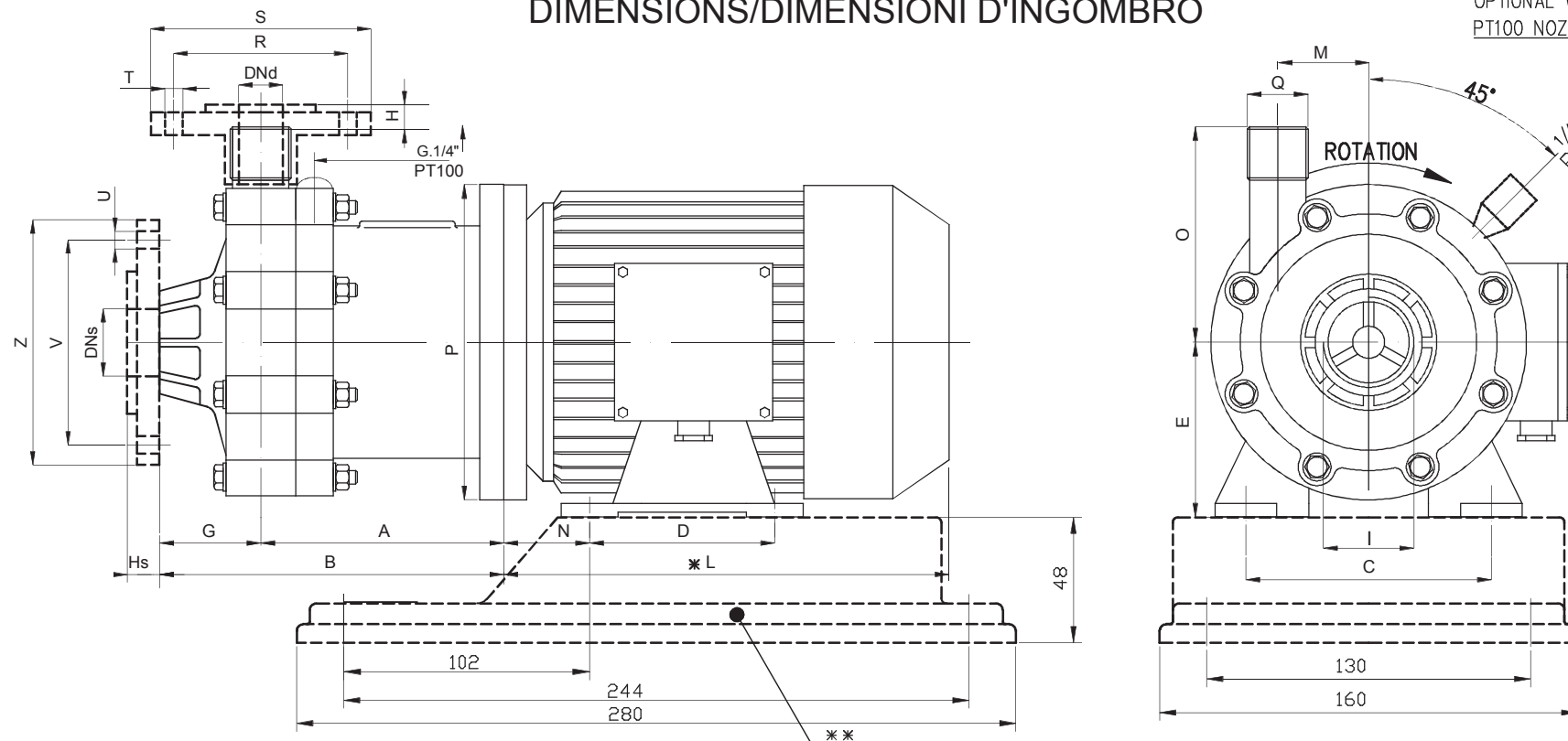


SECTION AND PARTS LIST/SEZIONE E LISTA PARTI



POS.	1	2	3	4	5	7	8	9	10	11	12	13
PART DESCR.	SET SCREWS	PUMP HEAD	O-RING	CASING THRUST BUSH	SHAFT+RING	IMPELLER	INT. MAGNET	BEARING	REAR CASING	EXT. MAGNET	SET SCREWS	BRACKET
MATERIALS	AISI304	AISI316	EPDM VITON	PTFE CARBON	HC276	AISI316	AISI316	PTFE CARBON	AISI316	C40	AISI304	ALUMINIUM AISI316

DIMENSIONS/DIMENSIONI D'INGOMBRO



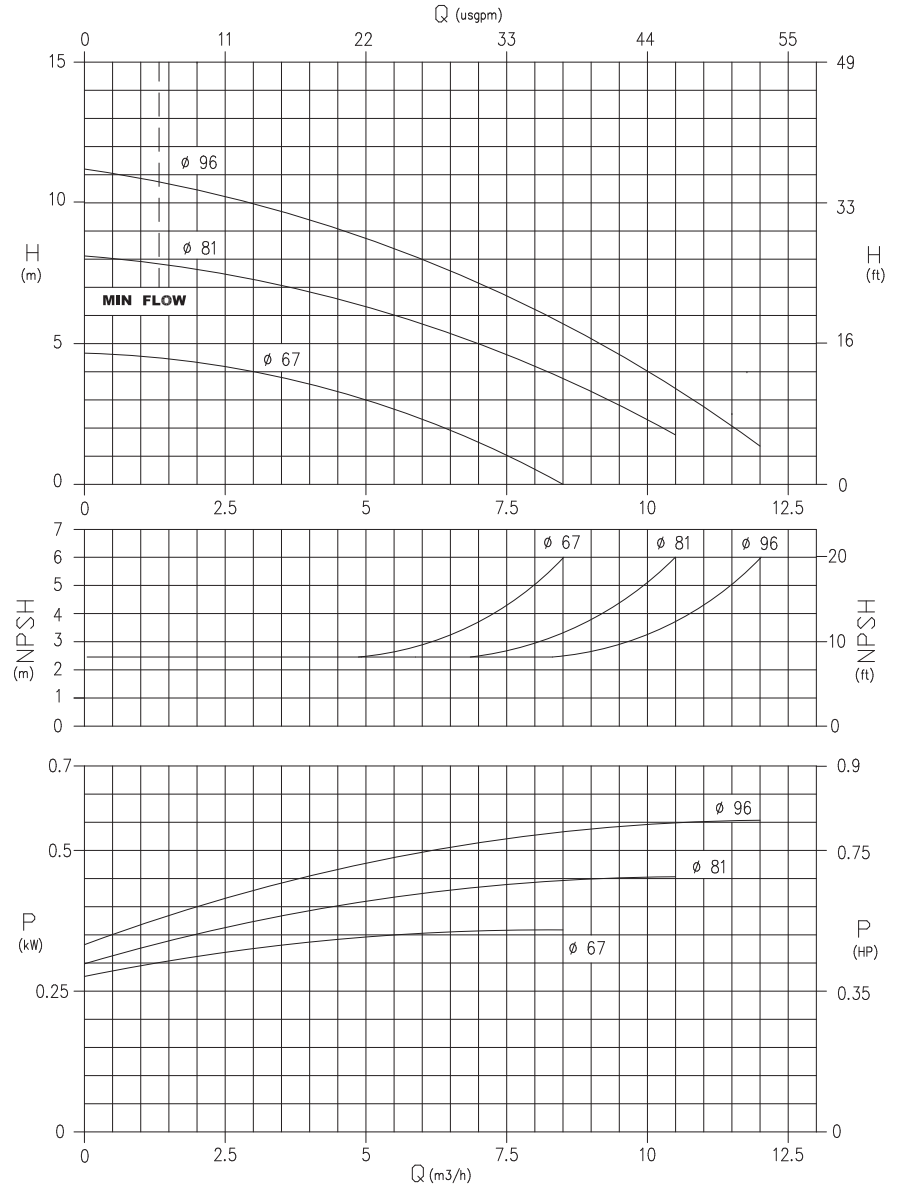
PUMP TYPE	MOTOR FLANGE B3-B5	POT. Kw	DIMENSIONS - mm -														FLANGES DIN PN 10-DIMENSIONS - mm -								
			A	B	C	D	E	Hs	G	H	I	*L	M	N	O	P	Q	R	S	T	U	V	Z	DNs	DNd
HTM 6 SS316 EM-C 6 SS316 (ATEX)	G 71 B	0.55	137	194	112	90	71	24	57	4	1" FEMALE	215	46	45	89	160	3/4" MALE	75	105	14	14	85	115	25	20

* Different according to the manufacturer / Diverso a seconda del fornitore
 ** OPTIONAL: Baseplate/Piede d'appoggio - Flanges/Flange

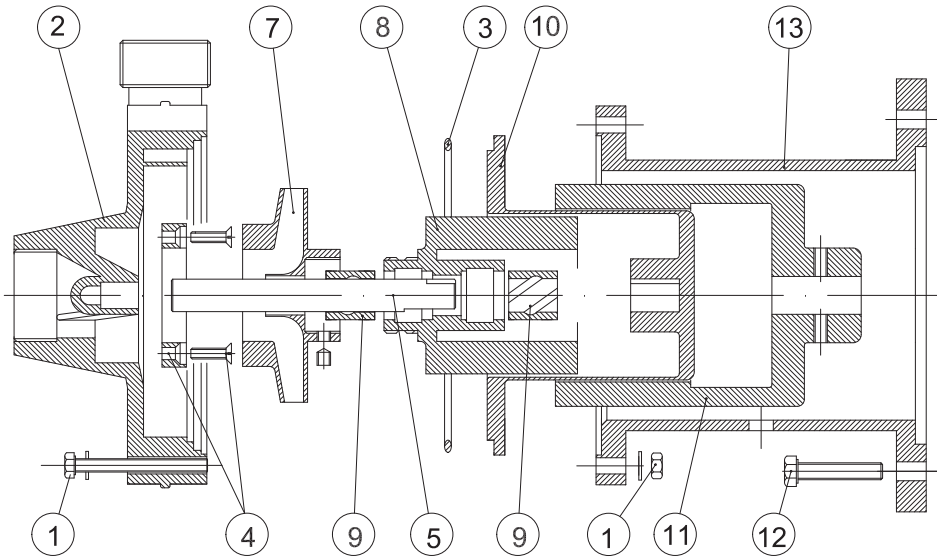
FEATURES/CARATTERISTICHE

Materials available/Materiali disponibili:	AISI 316
Max flow/Portata massima:	12 m ³ /h
Max head/Prevalenza massima:	12 m
Max temperature/Temperatura massima:	160 °C
Max viscosity/Viscosità massima:	200 cSt
Pressure rating/Pressione nominale massima:	NP/PN 10 @ 20°C
Pump weight/Peso pompa:	11.7 Kg.

CURVES/CURVE 50HZ-2900 RPM

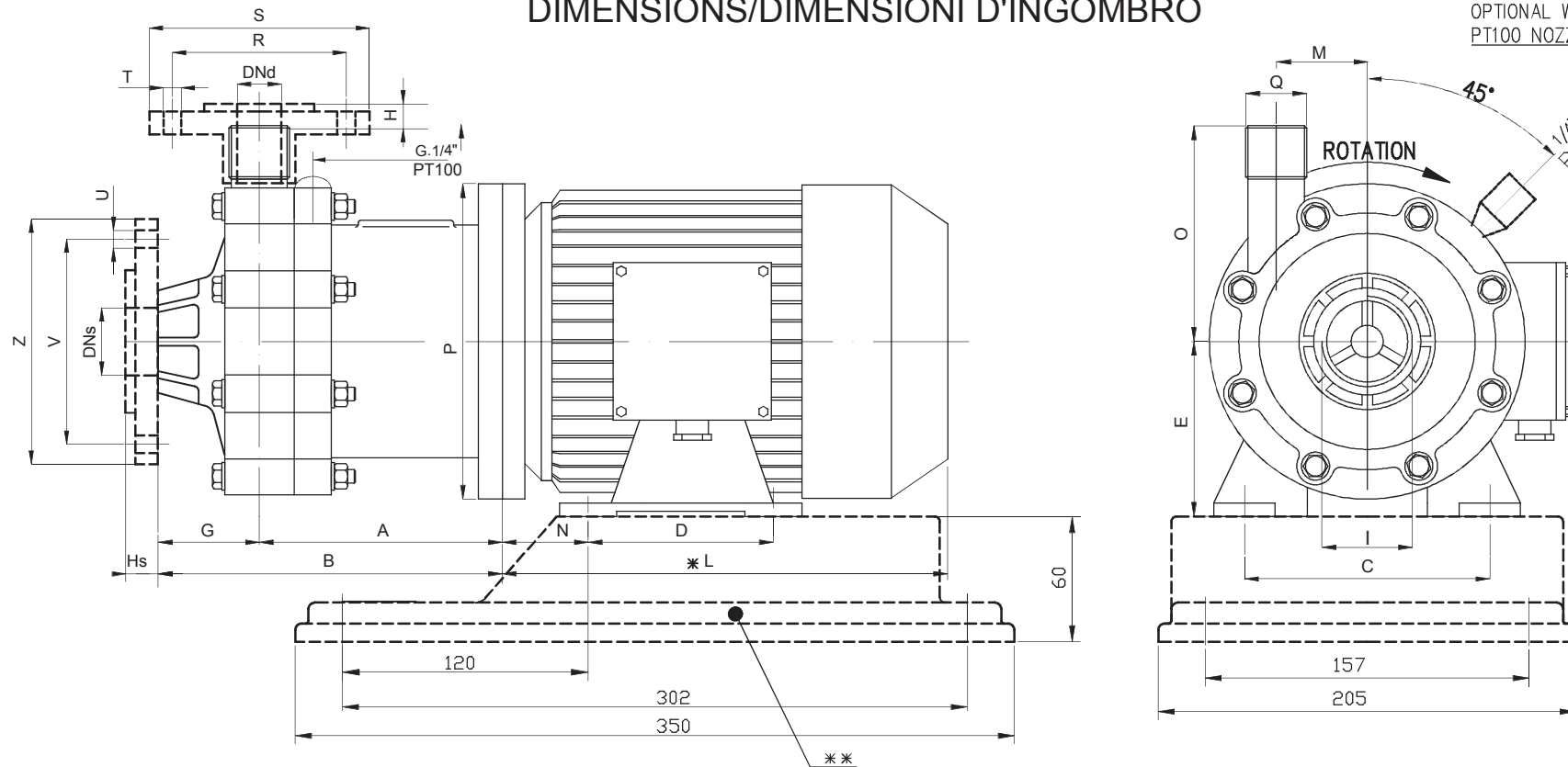


SECTION AND PARTS LIST/SEZIONE E LISTA PARTI



POS.	1	2	3	4	5	7	8	9	10	11	12	13
PART DESCR.	SET SCREWS	PUMP HEAD	O-RING	CASING THRUST BUSH	SHAFT+RING	IMPELLER	INT. MAGNET	BEARING	REAR CASING	EXT. MAGNET	SET SCREWS	BRACKET
MATERIALS	AISI304	AISI316	EPDM VITON	PTFE CARBON	HC276	AISI316	AISI316	PTFE CARBON	AISI316	C40	AISI304	ALUMINIUM AISI316

DIMENSIONS/DIMENSIONI D'INGOMBRO



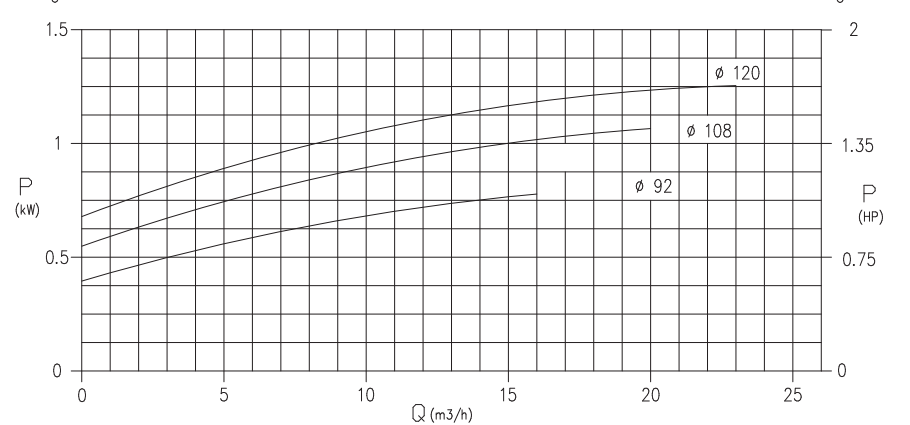
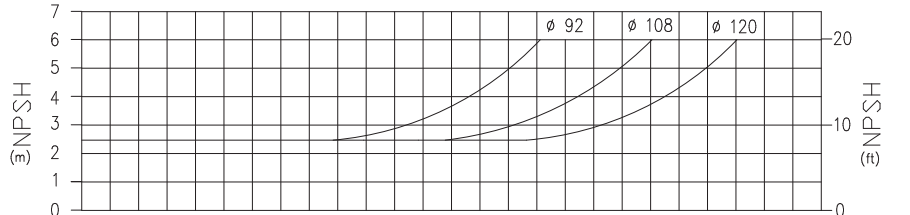
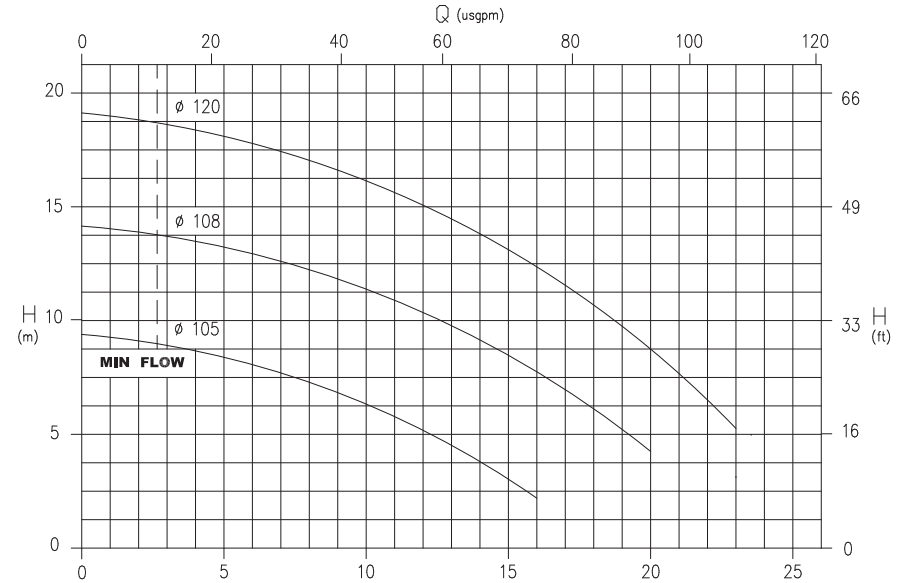
PUMP TYPE	MOTOR FLANGE B3-B5	POT. Kw	DIMENSIONS - mm -														FLANGES DIN PN 10-DIMENSIONS - mm -								
			A	B	C	D	E	Hs	G	H	I	*L	M	N	O	P	Q	R	S	T	U	V	Z	DNs	DNd
HTM 10 SS316 EM-C 10 SS316 (ATEX)	G 80 B	1.1	145	214	125	100	80	20	69	8	1 1/2" MALE	232	44	50	98	200	1"	85	115	14	18	110	150	40	25

* Different according to the manufacturer / Diverso a seconda del fornitore
** OPTIONAL: Baseplate/Piede d'appoggio - Flanges/Flange

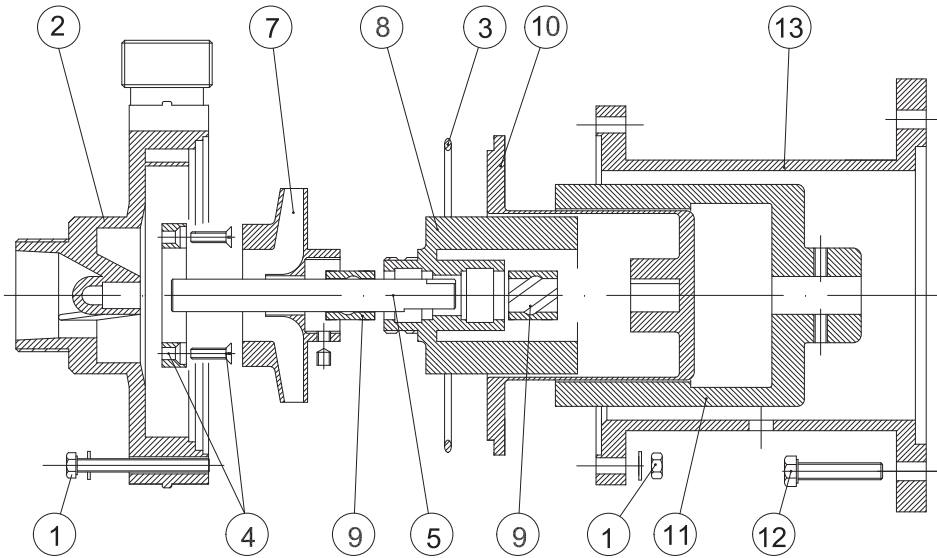
FEATURES/CARATTERISTICHE

Materials available/Materiali disponibili:	AISI 316
Max flow/Portata massima:	23 m ³ /h
Max head/Prevalenza massima:	19 m
Max temperature/Temperatura massima:	160 °C
Max viscosity/Viscosità massima:	200 cSt
Pressure rating/Pressione nominale massima:	NP/PN 10 @ 20°C
Pump weight/Peso pompa:	17 Kg.

CURVES/CURVE 50HZ-2900 RPM

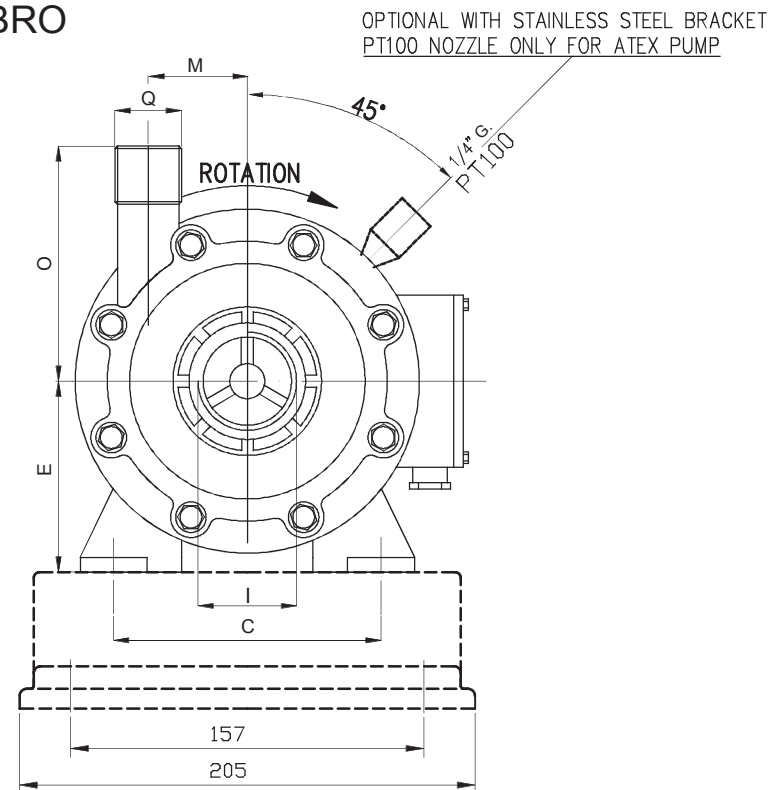
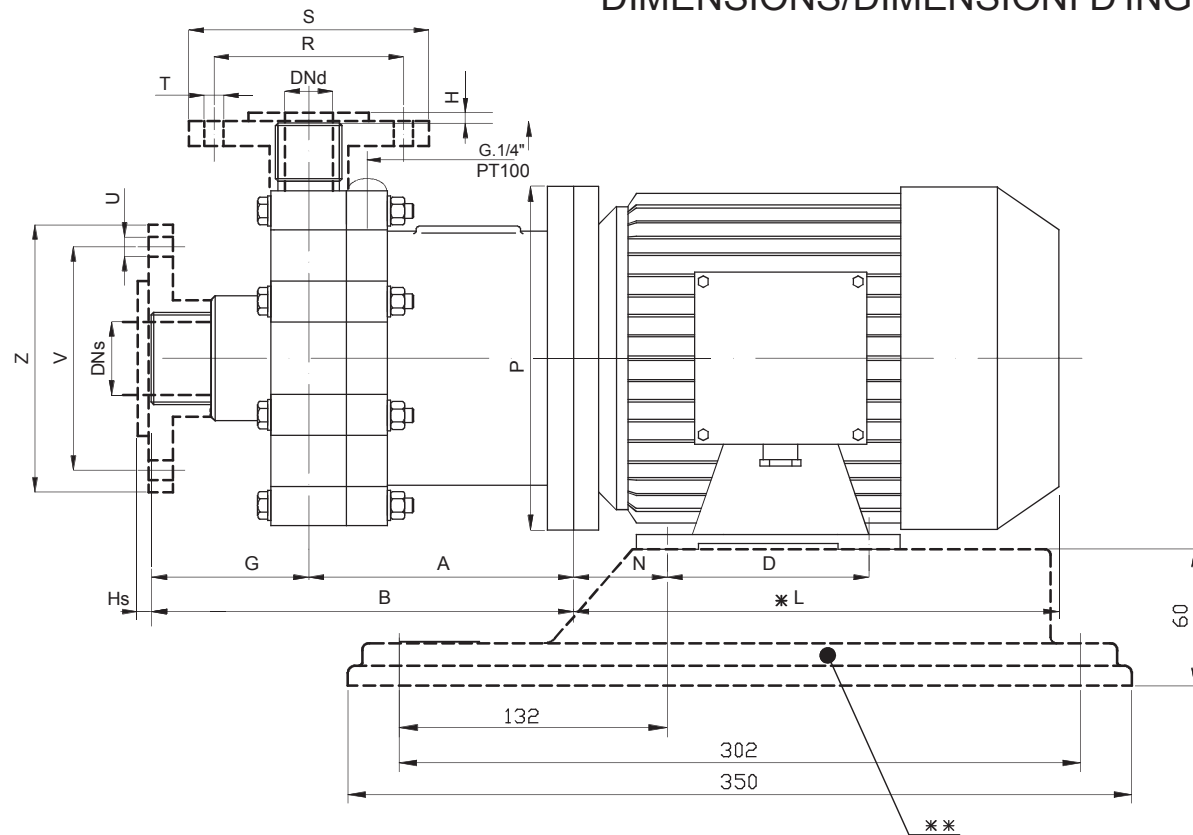


SECTION AND PARTS LIST/SEZIONE E LISTA PARTI



POS.	1	2	3	4	5	7	8	9	10	11	12	13
PART DESCR.	SET SCREWS	PUMP HEAD	O-RING	CASING THRUST BUSH	SHAFT+RING	IMPELLER	INT. MAGNET	BEARING	REAR CASING	EXT. MAGNET	SET SCREWS	BRACKET
MATERIALS	AISI304	AISI316	EPDM VITON	PTFE CARBON	HC276	AISI316	AISI316	PTFE CARBON	AISI316	C40	AISI304	ALUMINIUM AISI316

DIMENSIONS/DIMENSIONI D'INGOMBRO



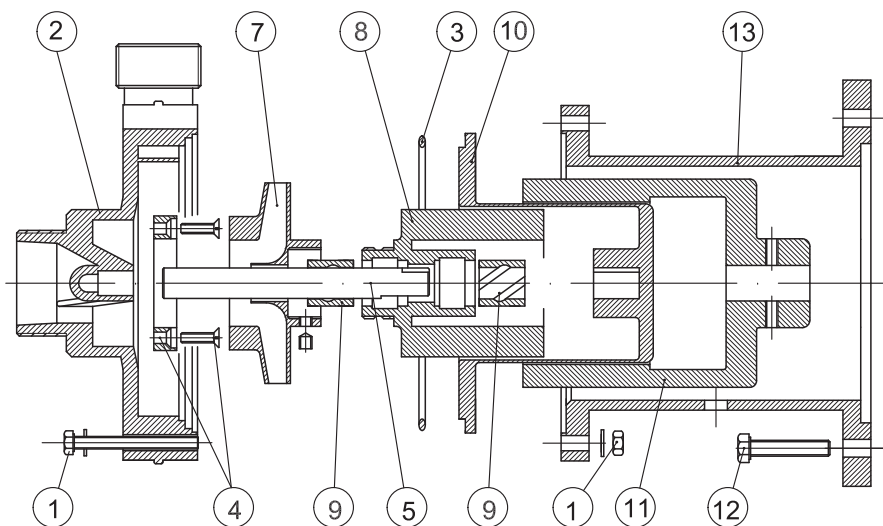
PUMP TYPE	MOTOR FLANGE B3-B5	POT. Kw	DIMENSIONS - mm -														FLANGES DIN PN 10-DIMENSIONS - mm -								
			A	B	C	D	E	Hs	G	H	I	*L	M	N	O	P	Q	R	S	T	U	V	Z	DNs	DNd
HTM 15 SS316 EM-C 15 SS316 (ATEX)	G 90 S	1.5	176	256	140	100	90	6	80	4	2" MALE	255	66	56	135	200	1 1/2" MALE	110	153	18	18	125	168	50	40

* Different according to the manufacturer / Diverso a seconda del fornitore
 ** OPTIONAL: Baseplate/Piede d'appoggio - Flanges/Flange

FEATURES/CARATTERISTICHE

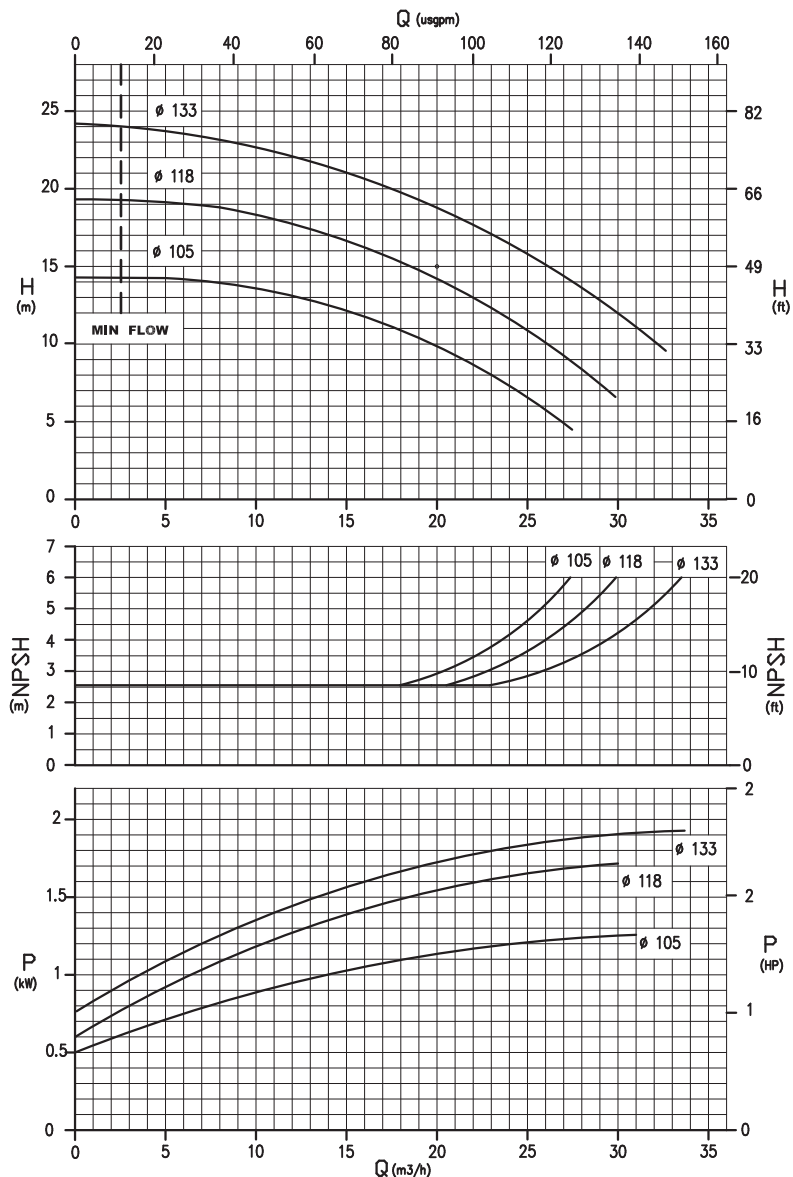
Materials available/Materiali disponibili:	AISI 316
Max flow/Portata massima:	32 m ³ /h
Max head/Prevalenza massima:	24 m
Max temperature/Temperatura massima:	160 °C
Max viscosity/Viscosità massima:	200 cSt
Pressure rating/Pressione nominale massima:	NP/PN 10 @ 20°C
Pump weight/Peso pompa:	20 Kg.

SECTION AND PARTS LIST/SEZIONE E LISTA PARTI



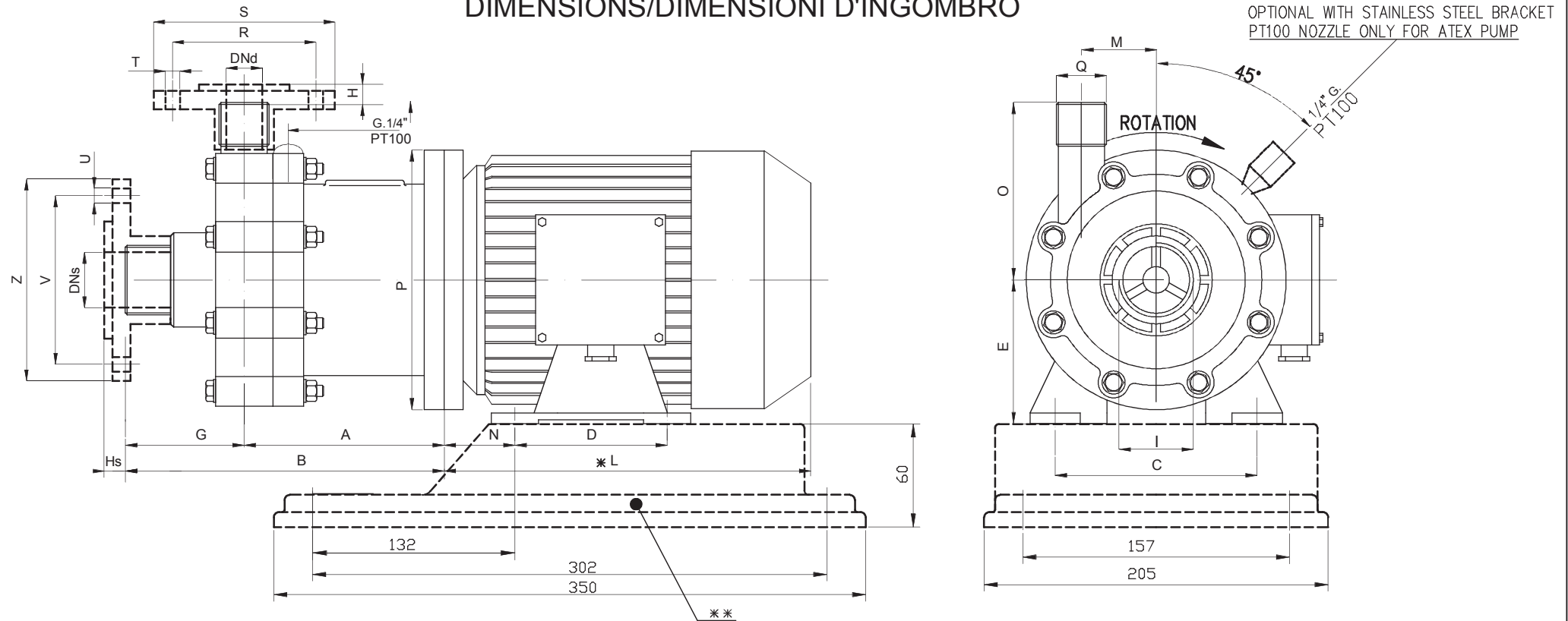
POS.	1	2	3	4	5	7	8	9	10	11	12	13
PART DESCR.	SET SCREWS	PUMP HEAD	O-RING	CASING THRUST BUSH	SHAFT+RING	IMPELLER	INT. MAGNET	BEARING	REAR CASING	EXT. MAGNET	SET SCREWS	BRACKET
MATERIALS	AISI304	AISI316	EPDM VITON	PTFE CARBON	HC276	AISI316	AISI316	PTFE CARBON	AISI316	C40	AISI304	ALUMINIUM AISI316

CURVES/CURVE 50HZ-2900 RPM



All data stated are an indication and are liable to change without notice / Tutti i dati sono indicativi e possono variare senza preavviso

DIMENSIONS/DIMENSIONI D'INGOMBRO



PUMP TYPE	MOTOR FLANGE B3-B5	POT. Kw	DIMENSIONS - mm -														FLANGES DIN PN 10-DIMENSIONS - mm -								
			A	B	C	D	E	Hs	G	H	I	*L	M	N	O	P	Q	R	S	T	U	V	Z	DNs	DNd
HTM 31 SS316 EM-C 31 SS316 (ATEX)	G 90 L	2.2	175	266	140	125	90	6.5	91	5	2 1/2" MALE	280	66	56	140	200	2" MALE	125	168	18	18	145	188	65	50

* Different according to the manufacturer / Diverso a seconda del fornitore
** OPTIONAL: Baseplate/Piede d'appoggio - Flanges/Flange